

KLOZURE® OIL SEALS &amp; BEARING ISOLATORS

## Bearing Isolator Family

### GUARDIAN™ Metallic Bearing Isolator

**The Metallic Isolator that can be installed on site...**

- ▶ Noncontacting seal
- ▶ No wear on shaft or bronze components
- ▶ No internal metal to metal contact
- ▶ One piece unitized design
- ▶ Easy installation – No arbor press required
- ▶ Surpasses IEEE 841-2001 Test Standards



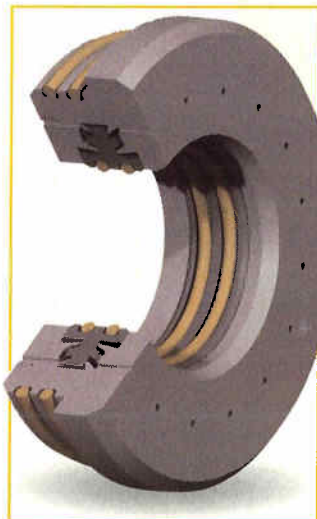
Patents Pending

### EQUALIZER™ Bearing Isolator

**The PTFE Isolator that has multi-position capability...**

- ▶ Unitized construction
- ▶ Seal installs in any rotation position
- ▶ Chemically inert
- ▶ Easy installation
- ▶ Graphite-filled PTFE\*

\* Additional materials available



Patented

### ISO-GARD® Bearing Isolator

**The Non-Metallic Isolator that can be installed on site...**

- ▶ Value solution
- ▶ Chemically inert
- ▶ Hand installable
- ▶ Glass-filled PTFE
- ▶ Exceeds IEEE 841-2001 Test Standard



Patented

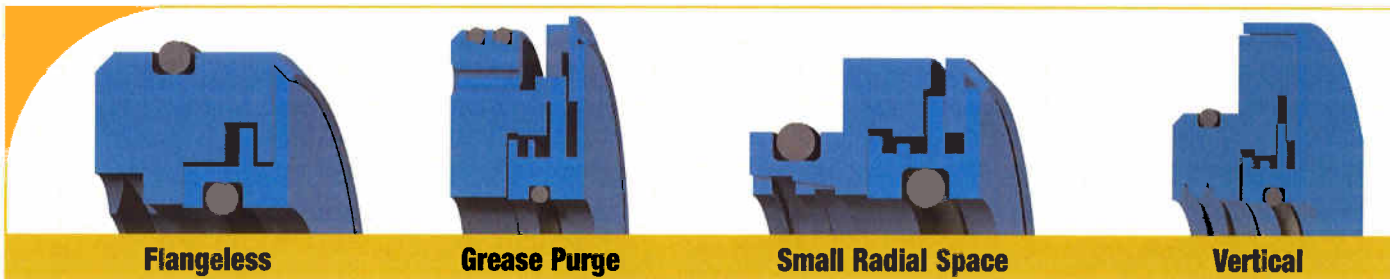
**Action Bearing**  
A Division of Bearing & Isolators Inc.  
Service. Inventory. Solutions.

**klozure®**  
A DIVISION OF GARLOCK

KLOZURE® OIL SEALS & BEARING ISOLATORS

# Bearing Isolator Family

ADDITIONAL DESIGNS AVAILABLE \*

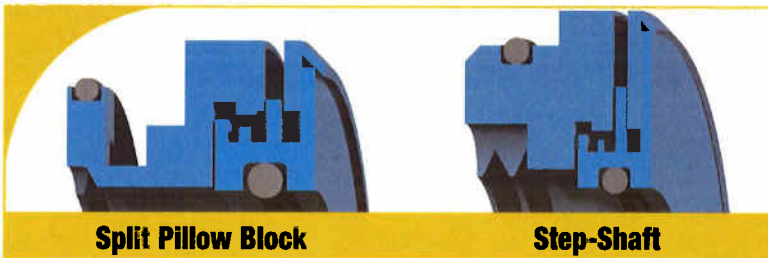


**Flangeless**

**Grease Purge**

**Small Radial Space**

**Vertical**



**Split Pillow Block**

**Step-Shaft**

\*FOR MORE INFORMATION CONTACT YOUR CUSTOMER SATISFACTION SPECIALIST

1.866.KLOZURE (1.866.556.9873)  
FAX 1.866.OILSEAL (1.866.645.7325)

AUTHORIZED DISTRIBUTOR

**WARNING:**

Properties/applications shown throughout this brochure are typical. Your specific application should not be undertaken without independent study and evaluation for suitability. For specific application recommendations consult Garlock. Failure to select the proper sealing products could result in property damage and/or serious personal injury.

Performance data published in this brochure has been developed from field testing, customer field reports and/or in-house testing.

While the utmost care has been used in compiling this brochure, we assume no responsibility for errors. Specifications subject to change without notice. This edition cancels all previous issues. Subject to change without notice.

GARLOCK is a registered trademark for packings, seals, gaskets, and other products of Garlock.

© Garlock 2003. All rights reserved worldwide.



ISO 9002-94  
Cert. #001762



**Action Bearing**

A Division of Bearing Enterprises, Inc.

Service. Inventory. Solutions.

**Klozure Oil Seals & Bearing Isolators**

A Division of Garlock Sealing Technologies  
1666 Division Street  
Palmyra, New York 14522 USA  
1.866.KLOZURE (1.866.556.9873)  
Fax: 1.866.OILSEAL (1.866.645.7325)

Visit Klozure:  
[www.klozure.com](http://www.klozure.com)

**Other Garlock brand facilities are located in:**

<b>Columbia, SC, USA</b>	1-803-783-1880	Fax: 1-803-783-4279
<b>Houston, TX, USA</b>	1-281-459-7200	Fax: 1-281-458-0502
<b>Sydney, Australia</b>	61-2-9793-2511	Fax: 61-2-9793-2544
<b>São Paulo, Brazil</b>	55-11-884-9680	Fax: 55-11-884-9680
<b>Brantford, Canada</b>	1-519-753-8671	Fax: 1-519-758-2265
<b>Sherbrooke, Canada</b>	1-819-563-8080	Fax: 1-819-563-5620
<b>Jebel Ali, Dubai</b>	971-4-8833652	Fax: 971-4-8833682
<b>West Yorkshire, England</b>	44-1422-313600	Fax: 44-1422-313601
<b>Saint-Étienne, France</b>	33-4-7743-5100	Fax: 33-4-7743-5151
<b>Neuss, Germany</b>	49-2131-3490	Fax: 49-2131-349-222
<b>Mexico City, Mexico</b>	52555-567-7011	Fax: 52555-368-0418
<b>Singapore</b>	65-6285-9322	Fax: 65-6284-5843

PRINTED IN U.S.A.

KLZ 2:42 AB GPS-Rev A-04/03



Bring KLOZURE® to all your sealing requirements

