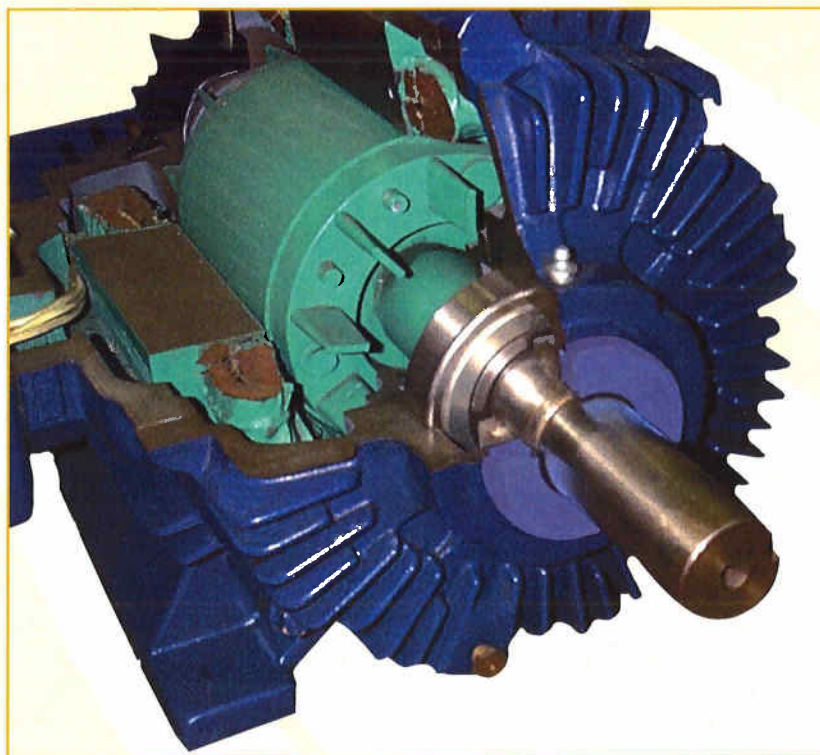


KLOZURE® OIL SEALS &amp; BEARING ISOLATORS

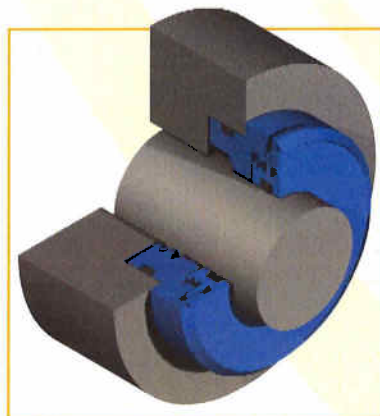
**ISO-GARD® for Electric Motors****The non-metallic bearing isolator that can be installed on site...**

- ▶ The most aggressive labyrinth in the industry, for superior contaminant exclusion
- ▶ Two-piece unitized construction will not come apart during installation
- ▶ PTFE material provides excellent chemical resistance and wide temperature capability
- ▶ Non-contact design eliminates shaft scoring, drag and frictional heat—no lubrication required
- ▶ Press-fit design means easy installation—no tools required
- ▶ Surpasses IEEE 841-2001 Test Standards
- ▶ Flangeless design available
- ▶ Step-Shaft design available

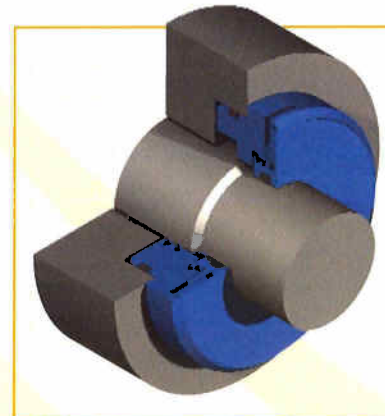
**Design Parameters**

- ▶ Temperature: -40°F (-40°C) to 400°F (204°C)
- ▶ Material: blue, glass-filled PTFE
- ▶ Surface speed: to 4,500 fpm (22.9 m/s)
- ▶ Axial motion:  $\pm 0.015$ " (0.38 mm)
- ▶ Misalignment and runout:  $\pm 0.020$ " (0.50 mm)
- ▶ Pressure: Ambient\*

\* 5 psi for Grease-Purgeable ISO-GARD®



Standard Design



Step-Shaft Design


**Action Bearing**

A Division of Bearing Enterprises, Inc.

Service. Inventory. Solutions.


**klozure**  
 A DIVISION OF GARLOCK

KLOZURE® OIL SEALS & BEARING ISOLATORS

ISO-GARD® for Electric Motors

Ordering Information

Electric Motor Frames Sizes

Frame Size	Seal Size (inches)	ISO-GARD® Part No.
130	1.312 x 2.000 x 0.625	29507-1146
182	0.875 x 1.875 x 0.750	29502-4267
182T	1.125 x 2.125 x 0.750	29502-4139
184	0.875 x 1.875 x 0.750	29502-4267
184T	1.125 x 2.125 x 0.750	29502-4139
210	1.375 x 2.375 x 0.750	29502-4141
213	1.125 x 2.125 x 0.750	29502-4139
213T	1.375 x 2.375 x 0.750	29502-4141
215	1.125 x 2.125 x 0.750	29502-4139
215T	1.375 x 2.375 x 0.750	29502-4141
250	1.766 x 2.750 x 0.750	29502-4350
254U	1.375 x 2.375 x 0.750	29502-4141
254T	1.625 x 2.625 x 0.750	29502-4144
256U	1.375 x 2.375 x 0.750	29502-4141
256T	1.625 x 2.625 x 0.750	29502-4144
280	1.900 x 3.500 x 0.750	29502-4356
284U	1.625 x 2.625 x 0.750	29502-4144
284T	1.875 x 2.875 x 0.750	29502-3585
284TS	1.625 x 2.625 x 0.750	29502-4144
286U	1.625 x 2.625 x 0.750	29502-4144
286T	1.875 x 2.875 x 0.750	29502-3585
286TS	1.625 x 2.625 x 0.750	29502-4144
320	2.355 x 3.870 x 0.750	29502-4351
324U	1.875 x 2.875 x 0.750	29502-3585
324S	1.625 x 2.625 x 0.750	29502-4144
324T	2.125 x 3.125 x 0.750	29502-4146
324TS	1.875 x 2.875 x 0.750	29502-3585
326U	1.875 x 2.875 x 0.750	29502-3585
326S	1.625 x 2.625 x 0.750	29502-4144

Frame Size	Seal Size (inches)	ISO-GARD® Part No.
326T	2.125 x 3.125 x 0.750	29502-4146
326TS	1.875 x 2.875 x 0.750	29502-3585
360	2.500 x 4.375 x 0.750	29502-4353
364S	1.625 x 2.625 x 0.750	29502-4144
364U	2.125 x 3.125 x 0.750	29502-4146
364US	1.875 x 2.875 x 0.750	29502-3585
364T	2.375 x 3.375 x 0.750	29502-4149
364TS	1.875 x 2.875 x 0.750	29502-3585
365S	1.625 x 2.625 x 0.750	29502-4144
365U	2.125 x 3.125 x 0.750	29502-4146
365US	1.875 x 2.875 x 0.750	29502-3585
365T	2.375 x 3.375 x 0.750	29502-4149
365TS	1.875 x 2.875 x 0.750	29502-3585
404S	1.875 x 2.875 x 0.750	29502-3585
404U	2.375 x 3.375 x 0.750	29502-4149
404US	2.125 x 3.125 x 0.750	29502-4146
404T	2.875 x 3.875 x 0.750	29502-4153
404TS	2.125 x 3.125 x 0.750	29502-4146
405S	1.875 x 2.875 x 0.750	29502-3585
405U	2.375 x 3.375 x 0.750	29502-4149
405US	2.125 x 3.125 x 0.750	29502-4146
405T	2.875 x 3.875 x 0.750	29502-4153
405TS	2.125 x 3.125 x 0.750	29502-4146
324T	2.125 x 3.125 x 0.750	29502-4146
324TS	1.875 x 2.875 x 0.750	29502-3585
326U	1.875 x 2.875 x 0.750	29502-3585
326S	1.625 x 2.625 x 0.750	29502-4144
326T	2.125 x 3.125 x 0.750	29502-4146
326TS	1.875 x 2.875 x 0.750	29502-3585

Frame Size	Seal Size (inches)	ISO-GARD® Part No.
360	2.500 x 4.375 x 0.750	29502-4353
364S	1.625 x 2.625 x 0.750	29502-4144
364U	2.125 x 3.125 x 0.750	29502-4146
364US	1.875 x 2.875 x 0.750	29502-3585
364T	2.375 x 3.375 x 0.750	29502-4149
364TS	1.875 x 2.875 x 0.750	29502-3585
365S	1.625 x 2.625 x 0.750	29502-4144
365U	2.125 x 3.125 x 0.750	29502-4146
365US	1.875 x 2.875 x 0.750	29502-3585
365T	2.375 x 3.375 x 0.750	29502-4149
365TS	1.875 x 2.875 x 0.750	29502-3585
404S	1.875 x 2.875 x 0.750	29502-3585
404U	2.375 x 3.375 x 0.750	29502-4149
404US	2.125 x 3.125 x 0.750	29502-4146
404T	2.875 x 3.875 x 0.750	29502-4153
404TS	2.125 x 3.125 x 0.750	29502-4146
405S	1.875 x 2.875 x 0.750	29502-3585
405U	2.375 x 3.375 x 0.750	29502-4149
405US	2.125 x 3.125 x 0.750	29502-4146
405T	2.875 x 3.875 x 0.750	29502-4153
405TS	2.125 x 3.125 x 0.750	29502-4146

FOR MORE INFORMATION CONTACT YOUR CUSTOMER SATISFACTION SPECIALIST

1.866.KLOZURE (1.866.556.9873)  
FAX 1.866.OILSEAL (1.866.645.7325)

AUTHORIZED DISTRIBUTOR

**WARNING:**

Properties/applications shown throughout this brochure are typical. Your specific application should not be undertaken without independent study and evaluation for suitability. For specific application recommendations consult Garlock. Failure to select the proper sealing products could result in property damage and/or serious personal injury.

Performance data published in this brochure has been developed from field testing, customer field reports and/or in-house testing.

While the utmost care has been used in compiling this brochure, we assume no responsibility for errors. Specifications subject to change without notice. This edition cancels all previous issues. Subject to change without notice.

GARLOCK is a registered trademark for packings, seals, gaskets, and other products of Garlock.

© Garlock 2003. All rights reserved worldwide.



ISO 9002-94  
Cert. #001762

**Klozure Oil Seals & Bearing Isolators**

A Division of Garlock Sealing Technologies  
1666 Division Street  
Palmyra, New York 14522 USA  
1.866.KLOZURE (1.866.556.9873)  
Fax: 1.866. OILSEAL (1.866.645.7325)

Visit Klozure:  
[www.klozure.com](http://www.klozure.com)

**Other Garlock brand facilities are located in:**

<b>Columbia, SC, USA</b>	1-803-783-1880	Fax: 1-803-783-4279
<b>Houston, TX, USA</b>	1-281-459-7200	Fax: 1-281-458-0502
<b>Sydney, Australia</b>	61-2-9793-2511	Fax: 61-2-9793-2544
<b>São Paulo, Brazil</b>	55-11-884-9680	Fax: 55-11-884-9680
<b>Brantford, Canada</b>	1-519-753-8671	Fax: 1-519-758-2265
<b>Sherbrooke, Canada</b>	1-819-563-8080	Fax: 1-819-563-5620
<b>Jebel Ali, Dubai</b>	971-4-8833652	Fax: 971-4-8833682
<b>West Yorkshire, England</b>	44-1422-313600	Fax: 44-1422-313601
<b>Saint-Étienne, France</b>	33-4-7743-5100	Fax: 33-4-7743-5151
<b>Neuss, Germany</b>	49-2131-3490	Fax: 49-2131-349-222
<b>Mexico City, Mexico</b>	52555-567-7011	Fax: 52555-368-0418
<b>Singapore</b>	65-6285-9322	Fax: 65-6284-5843

PRINTED IN U.S.A.

KLZ 2:37 AB GPS-Rev B-04/03-2M



Bring KLOZURE® to all your sealing requirements

